


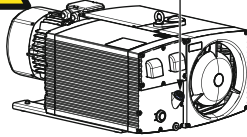







**BETRIEBSANLEITUNG
OPERATING INSTRUCTIONS
INSTRUCTIONS DE SERVICE
ISTRUZIONI D'USO
HANDLEIDING
INSTRUCCIONES PARA EL MANEJO
MANUAL DE INSTRUÇÕES
NAUDOJIMOSI INSTRUKCIJA
KASUTUSJUHEND
LIETOŠANAS INSTRUKCIJA
DRIFTSINSTRUKS
DRIFTSINSTRUKTIONER
DRIFTSVEJLEDNING
INSTRUKCJA OBSŁUGI**

**KEZELÉSI ÚTMUTATÓ
NÁVOD K OBSLUZE
NAVODILO ZA UPORABO
NÁVOD NA OBSLUHU
UPUTE ZA RAD
MANUAL DE OPERATII
TREORACHA OIBRIÚCHÁIN
ΟΔΗΓΙΕΣ ΧΡΗΣΗΣ
EL KITABI
ИНСТРУКЦИИ ЗА ЕКСПЛОАТАЦИЯ
ИНСТРУКЦИЯ ПО ЕКСПЛУАТАЦИИ
取扱説明書
사용설명서
使用说明书**


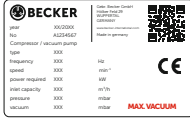


U 5.301

MAKE IT BECKER.





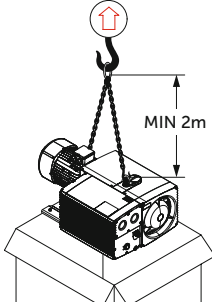

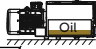



 	 <p>Becker Lube M/S/SL/SM 100 ▷ 6.0 Liter</p>	
		
 <p><input checked="" type="checkbox"/> AIR</p>		
		

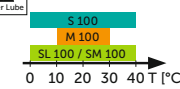

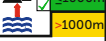


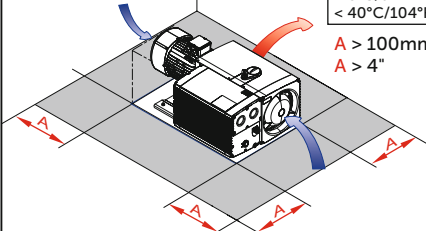
1

 <p>MAX. VACUUM</p>		<p>mbar</p>
	 <p>MAX.</p>	
<p>DIN EN ISO 11203 Accuracy Class 2 K_{pA} = 3 dB(A) l ← 1m</p>		<p>L_{pA} = 73 dB(A) - 50Hz L_{pA} = 76 dB(A) - 60Hz</p>





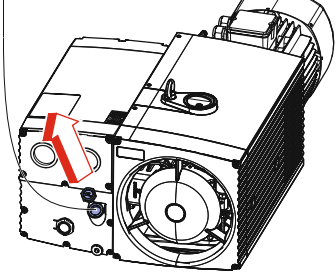
2

			 <p>143-161 kg 315-355 lbs</p>
			
			


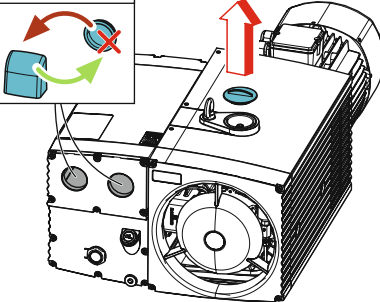
3

	<p>Avoid condensation</p>  <p>max. 90%</p>	 <p>≤1000m >1000m</p>
<p>Please consult  BECKER</p>		 <p>> 0°C/32°F < 40°C/104°F</p>
		<p>A > 100mm A > 4"</p>

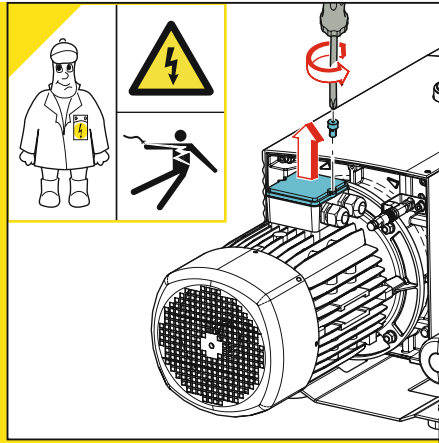
4

 <p>▶ 23 6.0 Liter</p>	 <p>MAX</p>	 
		

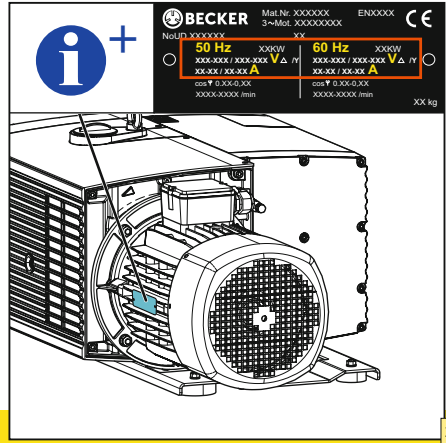
5

 <p>exhaust air has to escape without back-pressure (max. +0.1bar)</p>	
---	---

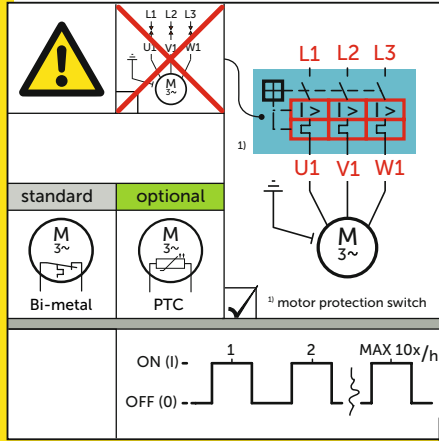
6



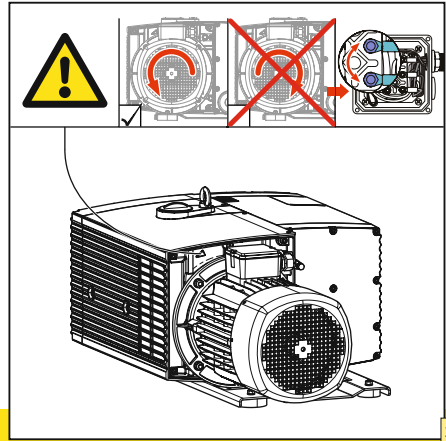
12



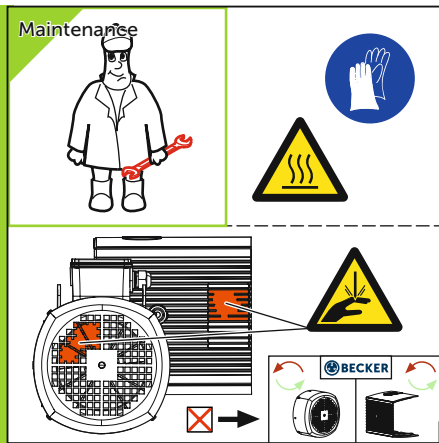
13



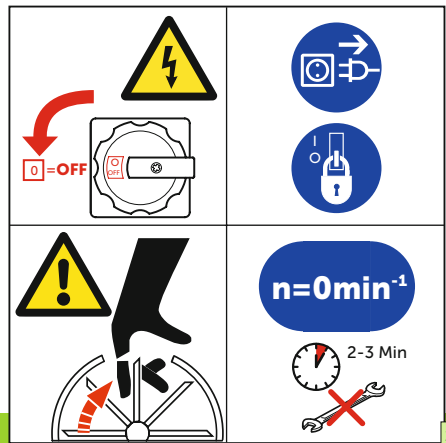
14



15



16



17

40-200 h

AMBIENT AIR ?

40h → 200h

EN149 - FFP3
42 CFR 84 - N100

18

▶ 24

▶ 21

▶ 26-27

▶ 25

▶ 28-31

▶ 20-23

OIL

19

MAX ▾

MIN ▲

40 h

! < MIN

Becker Lube
M/S/SL/SM 100

20

1. = 500 h

2. = 2000 h

3. = 4000 h

... (min. 2x/a)

OIL +

Pos. 219

12

21

▶ 23

6.0 Liter

! MAX

22

OIL

S 100

M 100

SL 100 / SM 100

0 10 20 30 40 T(°C)

! (Warning symbol)

Becker Lube **M 100** (Mineral oil)

- 1 Liter 96000900001
- 5 Liter 96000900201

Becker Lube **S 100** (Synthetic oil)

- 1 Liter 96001600101
- 5 Liter 96001600201

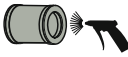
Becker Lube **SL 100** (Food packaging)

- 1 Liter 96002300101
- 5 Liter 96002300201

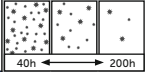
Becker Lube **SM 100** (Food processing)

- 1 Liter 96003700301
- 5 Liter 96003700401

23




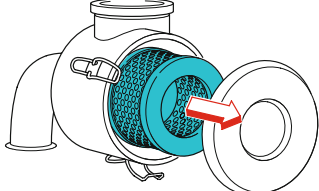
40-200 h



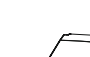
INTAKE AIR ?

MIN 1x/a



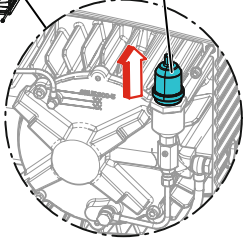


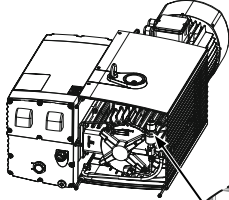
24




MIN 1x/a

Pos. 455

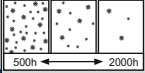




25



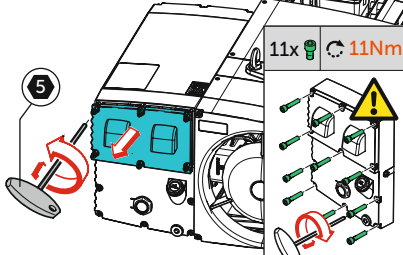
MAX 2000 h

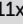



INTAKE AIR ?

0-400 mbar abs. ~~400 not permitted~~


VACUUM

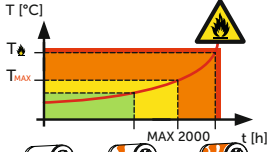


11x  **11Nm**

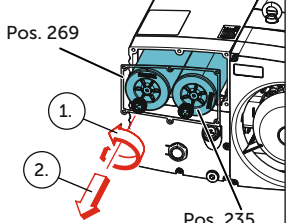


26

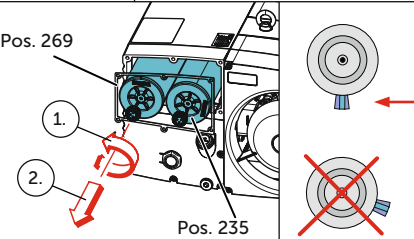



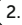


MAX 2000

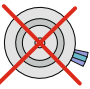


Pos. 269


1.  

2. 


Pos. 235




27

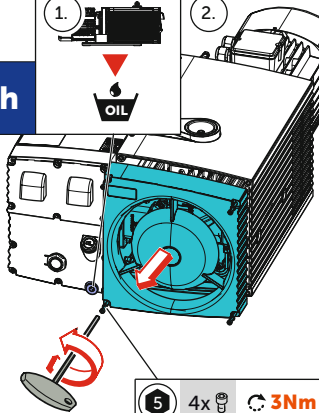




6000 h

1. 

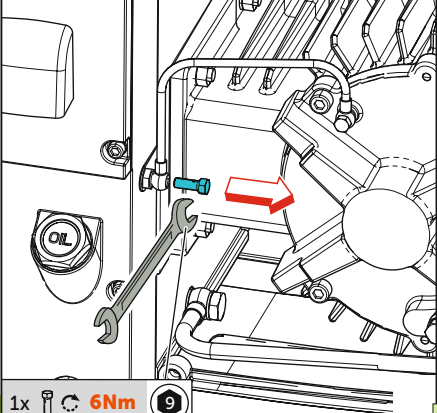
2. 



OIL



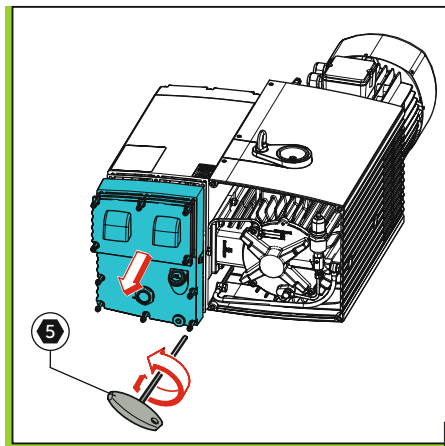
5  **4x**  **3Nm**

28

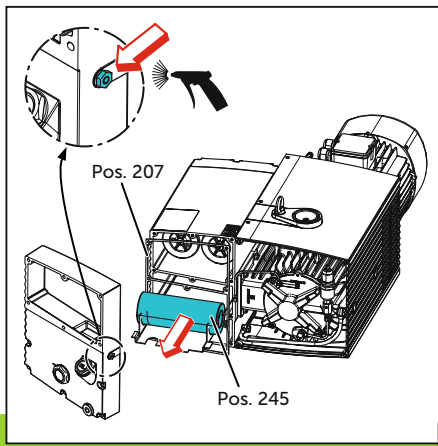


1x  **6Nm** 9 

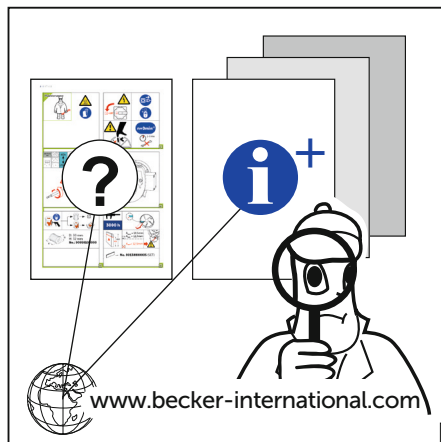
29



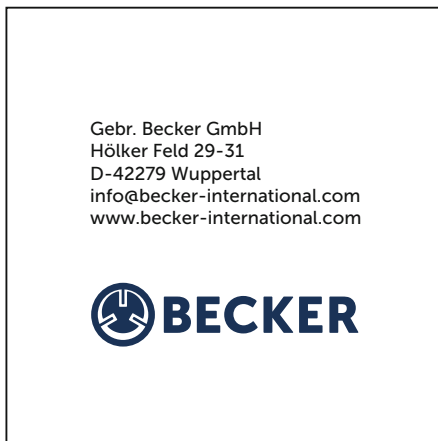
30



31



32





MAKE IT BECKER.

28100054530 | 2021-01-14 | All rights reserved